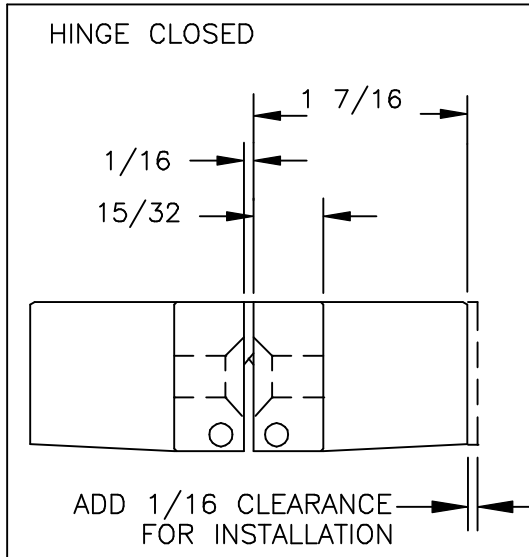


SUPPLIED
WOOD SCREWS
#14 x 1 1/2"
OR
SPECIAL ORDER
MACH. SCREWS
1/4-20 X 1

NO.	QTY.	PART NAME	MATERIAL
1	1	RIVET PIN	STEEL
2	2	LONG PIN	STEEL
3	16	LINK	STEEL
4	2	CHANNEL PIN	STEEL
5	2	BODY	ZINC
6	2	LONG ROLLER	NYLON 6\6
7	2	SPACER	NYLON 6\6
8	2	SHORT ROLLER	NYLON 6\6



MIN. WOOD DOOR THICKNESS IS 1-3/8 INCHES
DO NOT SCALE DRAWING
DOOR CLEARANCE REDUCES TO 1/64" WHILE CLOSING
SEE DWG# 4477-C IF ADDING MATERIAL TO DOOR FACE

<p>© Copyright 1998 Universal Industrial Products Co. Inc. One Coreway Drive Pioneer, Ohio 43554-0628</p>	SCALE: NOT TO SCALE
	DRAWN BY: R. SEIGNEUR
HINGE TEMPLATE	DATE: 4/8/98
#216 SOSS INVISIBLE HINGE	DRAWING # 3952-C