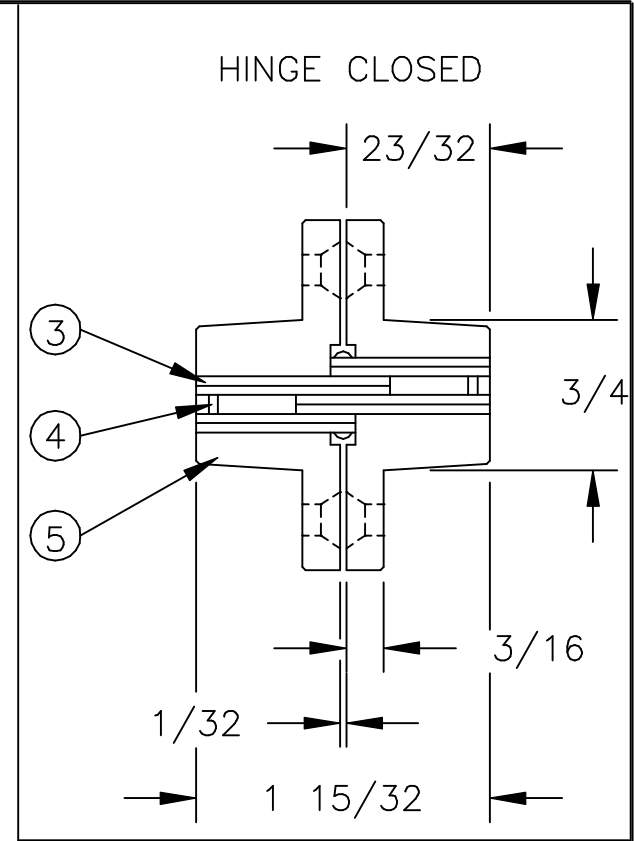
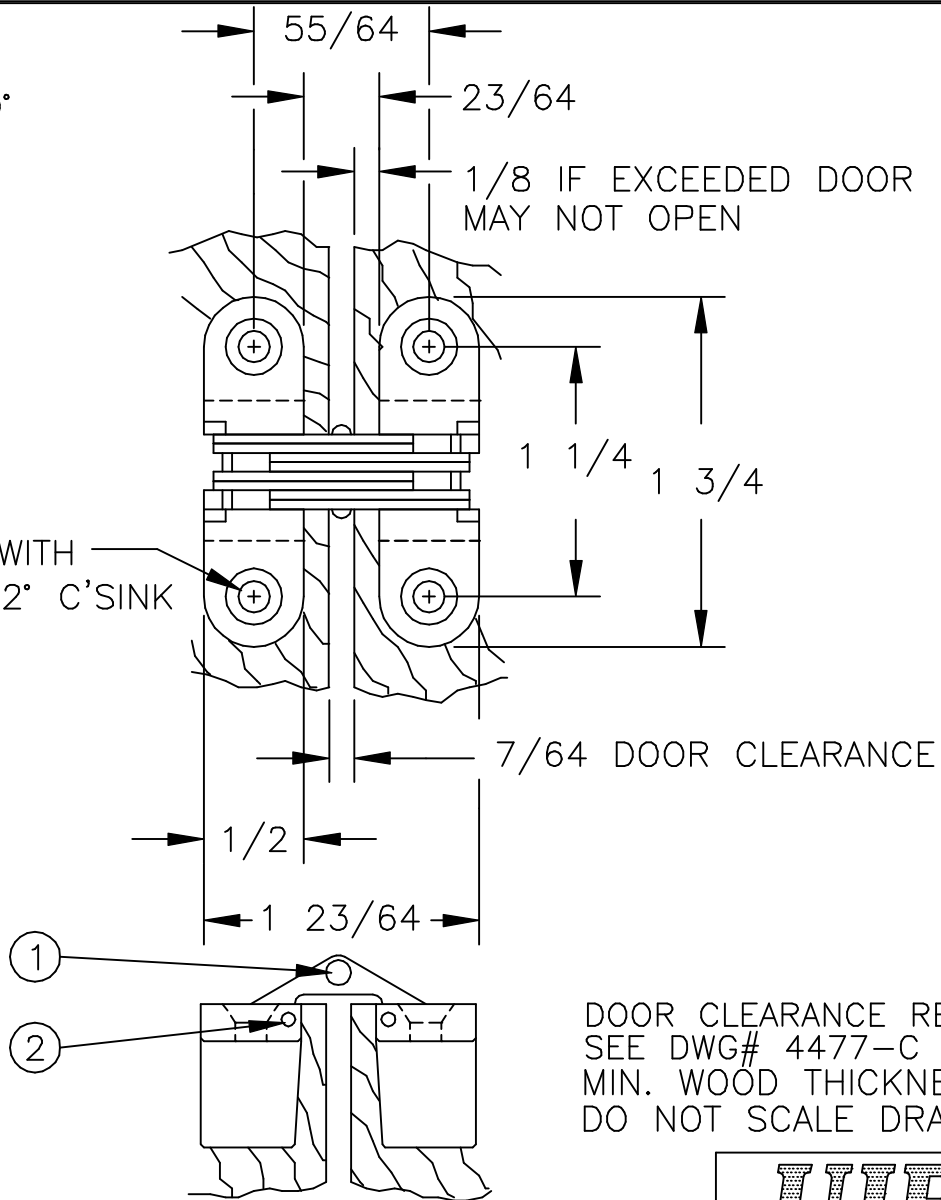


HINGE OPEN 180°

SUPPLIED
WOOD SCREW
#6 x 1"

OR
SPECIAL ORDER
6-40 x 1/2"
MACH. SCREW

.156 DIA. WITH
9/32 DIA. x 82° C'SINK



DOOR CLEARANCE REDUCES TO 1/64" WHILE CLOSING
SEE DWG# 4477-C IF ADDING MATERIAL TO DOOR FACE
MIN. WOOD THICKNESS IS 3/4 INCH
DO NOT SCALE DRAWING

| | | | |
|-----|------|-------------|----------|
| 5 | 2 | BODY | ZINC |
| 4 | 2 | CHANNEL PIN | STEEL |
| 3 | 8 | LINK | STEEL |
| 2 | 2 | LONG PIN | STEEL |
| 1 | 1 | RIVET PIN | STEEL |
| NO. | QTY. | PART NAME | MATERIAL |

UIP

©Copyright 1998
Universal Industrial Products Co. Inc.
One Coreway Drive
Pioneer, Ohio 43554-0628

SCALE:

NOT TO SCALE

DRAWN BY:

R. SEIGNEUR

HINGE TEMPLATE

DATE:

4/8/98

#203 SOSS INVISIBLE HINGE

DRAWING #

3947-C