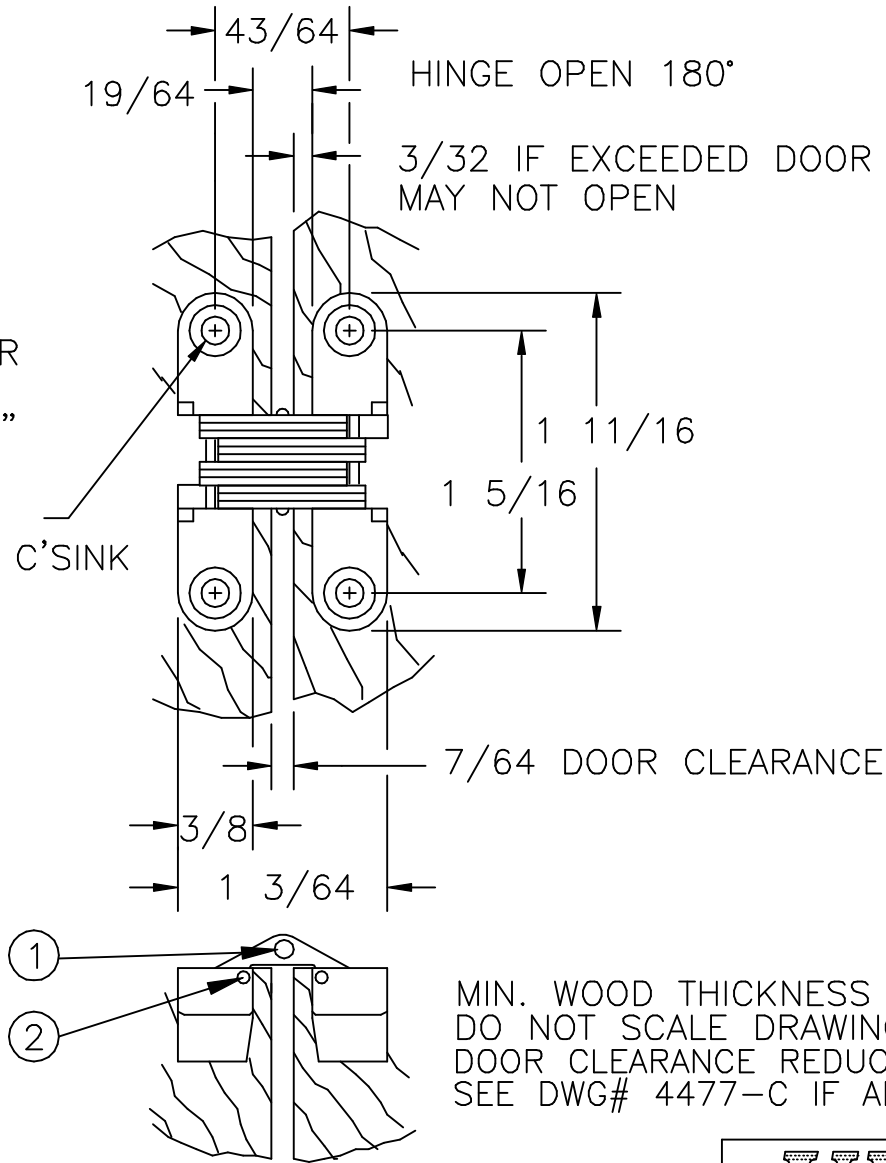
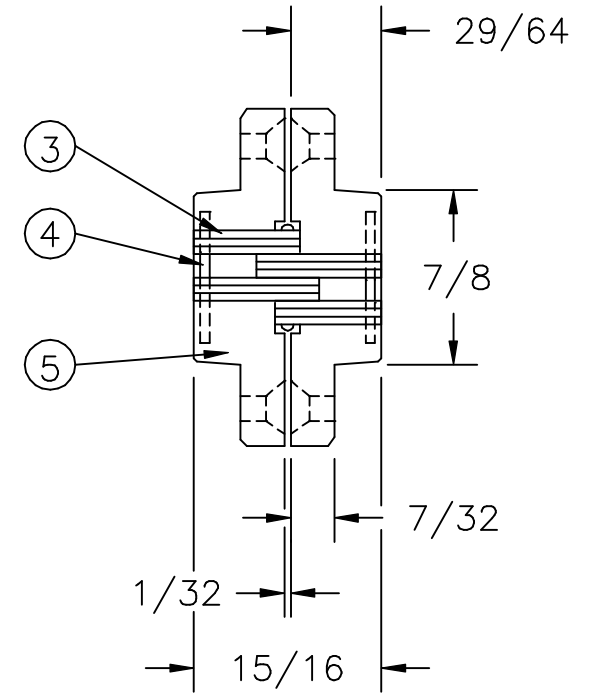


SUPPLIED  
WOODSCREW  
#5 x 3/4"  
SPECIAL ORDER  
MACH. SCREW  
#4-40 X 1/2"

.140 DIA. WITH  
.256 DIA. x 82° C'SINK



HINGE CLOSED



MIN. WOOD THICKNESS IS 1/2 INCH  
DO NOT SCALE DRAWING  
DOOR CLEARANCE REDUCES TO 1/64" WHILE CLOSING  
SEE DWG# 4477-C IF ADDING MATERIAL TO DOOR FACE

5	2	BODY	ZINC
4	2	CHANNEL PIN	STEEL
3	12	LINK	STEEL
2	2	LONG PIN	STEEL
1	1	RIVET PIN	STEEL
NO.	QTY.	PART NAME	MATERIAL

**UIP**

©Copyright 1998  
Universal Industrial Products Co. Inc.  
One Coreway Drive  
Pioneer, Ohio 43554-0628

SCALE:

NOT TO SCALE

DRAWN BY:

R.SEIGNEUR

HINGE TEMPLATE

DATE:

4/8/98

#101 SOSS INVISIBLE HINGE

DRAWING # 3941-C