

ARCHITECTURAL MAILBOXES®



America's leading manufacturer of premium mailboxes





On July 26th, 1775, the Second Continental Congress bestowed the rank of Postmaster General of the United Colonies upon Benjamin Franklin. As the first Postmaster General, Franklin had responsibility for mail delivery between Congress and the armies, and was paid \$1000 per year for his services. By 1790, there were 75 Post Offices with operating expenses totaling \$32,000. Eighteenth century mail consisted primarily of very small envelopes and deliveries were made by foot and horse to the colonies and surrounding areas.

In stark contrast, in the year 2000 there were over 27,000 US Post Offices delivering over 200 billion pieces of mail per year with operating expenses of \$63 billion. Deliveries now include parcels, catalogs, prescription medicine, electronic media and priority mail. US mail now reaches every corner of our country by air, rail, road and sidewalk.

Today, we lead very different lives than the Americans before us. We purchase more goods on the Internet and through thousands of mail-order catalogs than ever before. Our home improvement spending has reached record levels and housing starts continue to grow at alarming rates despite a sluggish economic climate. In addition, mail security and identity theft continue to be growing concerns in neighborhoods across the country. These factors contribute to an emerging need for innovative mail receptacles that address a very diverse set of demands.

Architectural Mailboxes offers products that meet the needs of contemporary American lifestyles. Our larger designs allow for increased delivery volume. In fact, our patented Oasis mailboxes allow for the secure delivery of small parcels and other bulky items, eliminating the need for parcel pickup at your local Post Office. Locking access doors on several models provide a secure environment for delivered mail. We use a palette of fresh colors and metallic finishes that appeal to today's homeowners' discerning tastes and complement current home building trends. Our progressive approach to design will continue to generate mailbox products that serve our ever-changing society.



Coronado™ collection

Our traditional curbside mailboxes stand above all other post mount styles on the market. The graceful and distinctive designs have reformed the way premium mailboxes are viewed and set a new standard of beauty for the most discerning homeowner. Available in several body colors and over six pounds of solid brass accent pieces, the Coronado™ Collection mailboxes will make any homeowner proud.



Coronado™



Coronado™ collection

solid cast brass accent pieces in four premium metallic finishes

	black body	bronze body	white body	sand body
 antique nickel accents	 5504B	 5504Z	 5504W	 5504S
 antique copper accents	 5505B	 5505Z	 5505W	 5505S
 polished brass accents	 5506B	 5506Z	 5506W	 5506S
 antique bronze accents	 5507B	 5507Z	 5507W	

new

options

A **Locking Insert** accessory (item 5519) is available, providing the peace of mind that your mail will stay secure. The insert is a retrofit item and can be installed in a new or previously purchased mailbox. It is constructed of heavy gage galvanized steel powder coated in black and includes a corrosion resistant lock with two keys. The mounting hardware is located securely behind the access door and is not accessible when the door is locked. The incoming mail slot is 5-1/2" wide by 3/4" tall and the access door opening is 6-1/4" wide by 4" tall.



5519

new item



A **Newspaper Holder** (item 5517) is available for use with the Decorative In-ground Post (item 5515). It is purchased separately and replaces the curved support piece that comes with the post.



5517

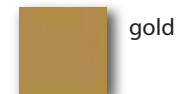


5109

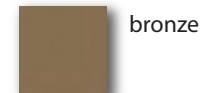
Custom side address lettering is available for all products. We use premium German-made vinyl lettering rated to last at least seven years. Standard colors are shown below. The standard font is Times New Roman Italic. Custom colors, fonts and even artwork can be created and factory applied using our advanced computer-based lettering system. Front lettering (item 5108) is also available - see page 15.



silver

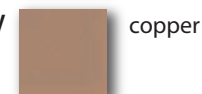


gold



bronze

new



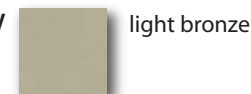
copper

new



pewter

new



light bronze



Coronado™



Decorative Post

The Decorative Post (item 5515) is available in all four mailbox colors and is designed for in-ground installation. The post is configured to cantilever the mailbox forward, allowing more clearance beside and under the mailbox.



5515



For multi-home installations, up to four mailboxes can be mounted on a single post by using Side Support Brackets or Spreaders. Double, triple and quad configurations are possible on the Standard, Decorative and Grande Posts. See the Specifications (page 6) for information on what accessory parts are needed for these installation options.

Standard Post

For a clean look, the Standard Post is available in surface mount (item 5526) or in-ground (item 5525) types.



5525/5526



5565

Grande Post

new item

Do-It-Yourself
Retailing

2005 Award of Distinction
at National Hardware Show

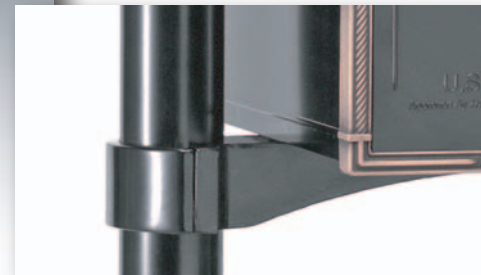


The award winning Grande Post (item 5565) is unsurpassed in aesthetic design, ease of assembly, and flexibility of installation. Unlike similar products on the market, the Grande Post uses a continuous galvanized steel post section providing strength and durability, even for multiple boxes. The support arms clamp to the post piece at any vertical location to provide flexibility in mailbox height and the cast aluminum base conceals all anchoring hardware. In addition, its modular design allows for smaller packaging and convenient part replacement. The Grande Post is fully powder coated and is available in all Coronado™ Mailbox body colors.



One-piece, fully galvanized steel post piece provides strength and longevity.

The mailbox support arm clamps to the post piece, allowing unlimited mounting heights for USPS installation compliance.

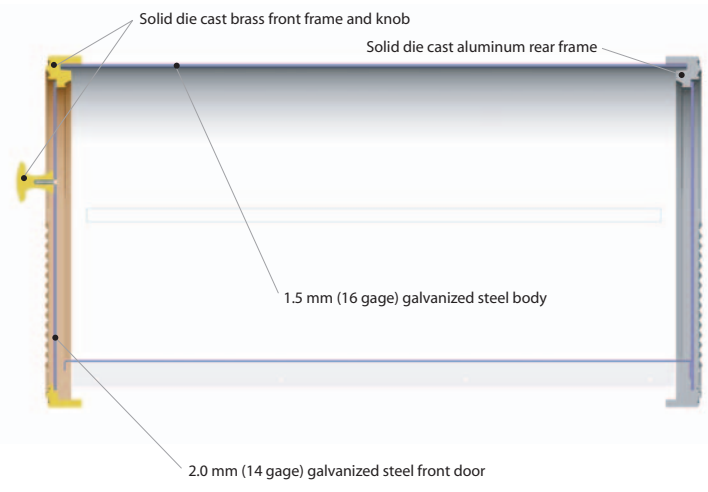


The distinctive die cast aluminum base, with design elements such as our signature "Egg and Ball" embossing, creates a sense of aesthetic harmony with the Coronado™ Collection Mailboxes.

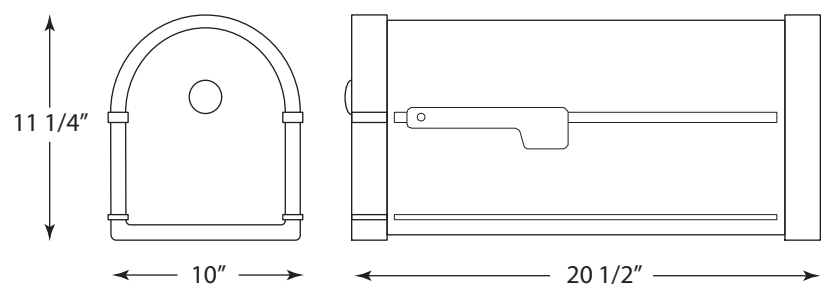


Coronado™

mailbox specifications

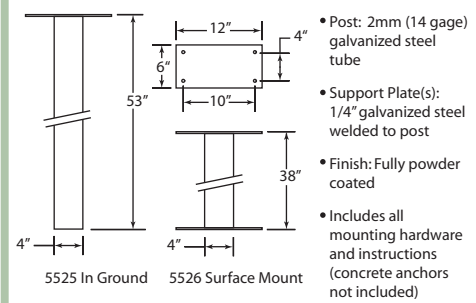
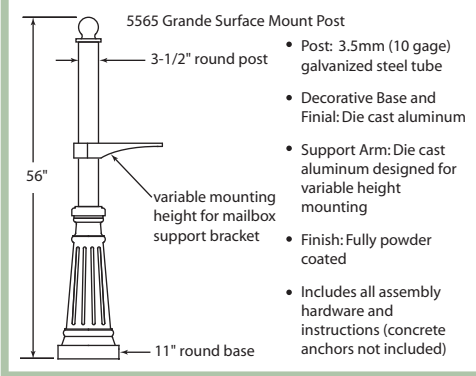
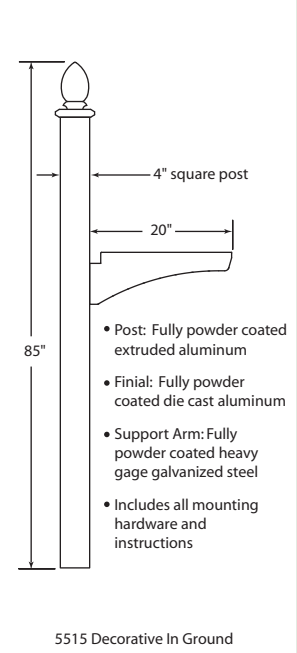


- Front Frame and Knob Accents: Solid die cast brass with sharp detail and deep relief, available in a variety of premium metallic finishes and colors
- Rear Frame: Solid die cast aluminum with sharp detail and deep relief, powder coated to match body
- Flag: Solid sheet brass finished to match the knob and front frame
- Body: Fully powder coated 1.5mm galvanized steel
- Door: Fully powder coated 2.0mm galvanized steel
- Floor: Fully powder coated 1.5mm galvanized steel
- Stainless steel door hinge and hardware
- All parts are completely powder coated and finished prior to assembly to eliminate corrosion within part joints
- Approved by the US Postmaster General

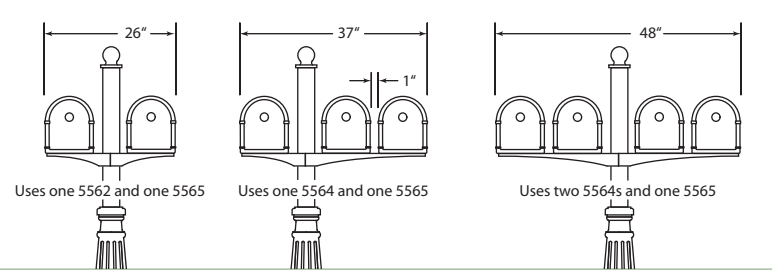
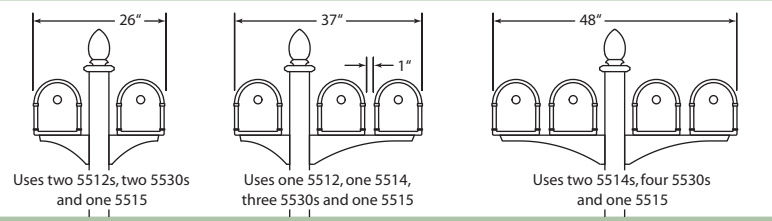
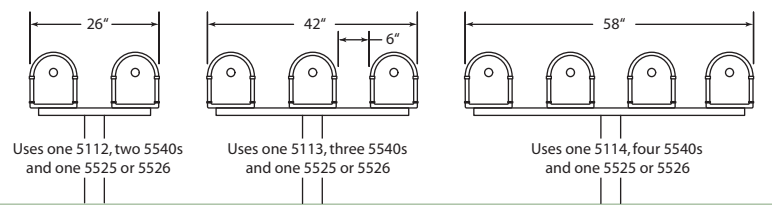


Models 5504, 5505, 5506, and 5507

post specifications



multi-family post configurations



Wall Mount collection

In keeping with Architectural Mailboxes™ tradition of rejuvenating uninspired product segments, we offer a growing line of fresh wall mount mailboxes. These premium wall mounts integrate beauty, functionality and security. The collection features attractive designs, large incoming mail slots, spacious storage compartments, and secure locking access doors.



Wall Mount



2402SNE

The Peninsula™

Our flagship wall mount design embodies Old World charm with over 14 pounds of solid brass construction available in three different premium finishes - Antique Brass, Satin Nickel and Antique Copper. Each finish is available with or without the embossed "Eternity" design.

with eternity embossing



2402ACE

without eternity embossing



2402AC

antique copper finish



2402ABE



2402AB

antique brass finish



2402SNE



2402SN

satin nickel finish

white



2450W

bronze



2450Z

black



2450B

sand



2450S

The Lunada™

This elegantly simple mailbox is finished in a durable powder coat available in pearl gray, sand, black, white, and bronze.

pearl gray



2450G



Wall Mount



Wall Mount



This robust product is constructed of stainless steel for unparalleled resistance to the elements and is finished in either a progressive swirl pattern (2407SW) or a plain satin finish (2407PS).



THE METROPOLIS™

black



2480B

bronze



2480Z

white



2480W

pearl gray



2480G

The Soho™

This contemporary design is finished in a durable powder coat available in pearl gray, sand, black, white, and bronze.



2480S

sand



Wall Mount



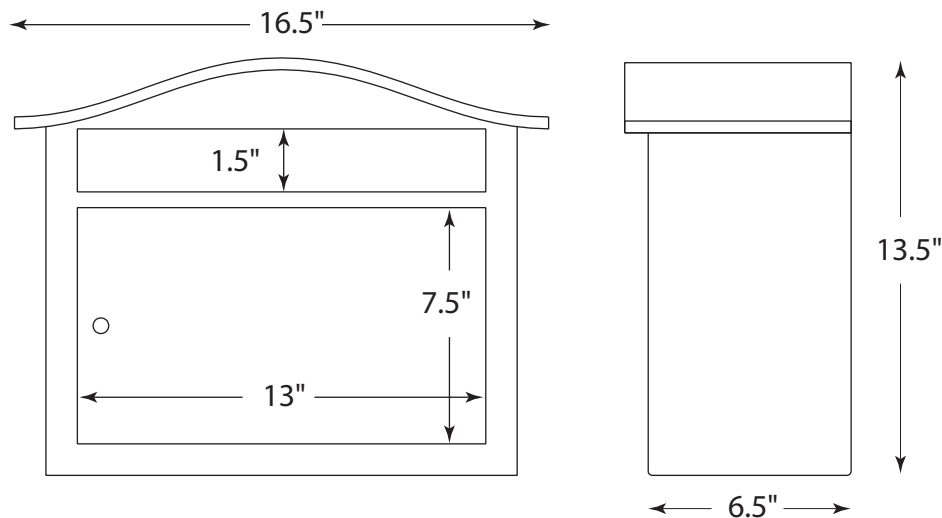
peninsula™ and lunada™ specifications metropolis™ and soho™ specifications

peninsula™

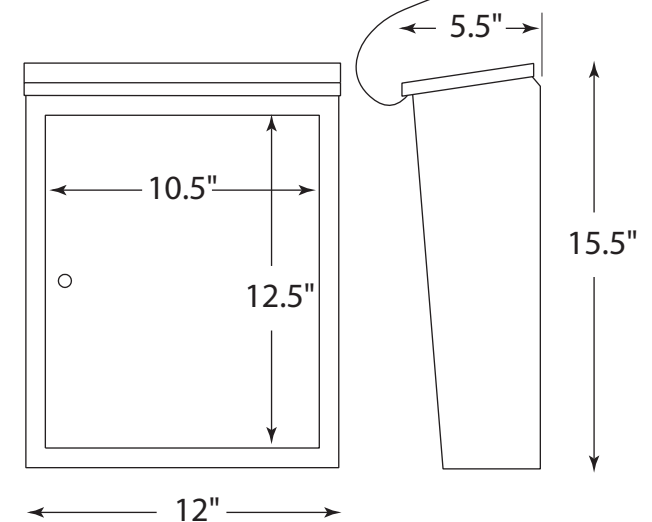
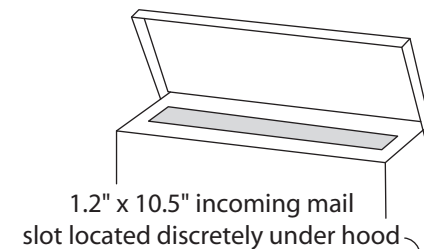
- Roof: 8 gage (4.0mm) solid brass sheet
- Body: 20 gage (1.0mm) solid brass sheet
- Finish: Hand polished in a variety of premium metallic finishes
- Stainless steel scalped cam lock with dust shutter and two keys
- Mounting hardware and instructions included
- Incoming slots can accept magazines, videocassettes, and bank check boxes

lunada™

- Roof: 8 gage (4.0mm) galvanized steel sheet
- Body: 20 gage (1.0mm) galvanized steel sheet
- Finish: Fully powder coated inside and out
- Stainless steel scalped cam lock with dust shutter and two keys
- Mounting hardware and instructions included
- Incoming slots can accept magazines, videocassettes, and bank check boxes



- Metropolis™ is 20 gage stainless steel construction
- Soho™ is 20 gage galvanized steel construction finished in a durable powder coat inside and out
- Stainless steel scalped cam lock with dust shutter and 2 keys
- Mounting hardware and instructions included
- Incoming slots can accept magazines, videocassettes, and bank check boxes



Oasis[®] series

The Oasis[®] Locking Mailbox is the solution for mail and small parcel security in residential, commercial and municipal applications. Its patented hopper door allows for delivery of mail bundles and small parcels commonly used for shipping catalog or online orders. The drop box version provides the same solution for commercial and municipal applications, such as key drops or payment drops.



Oasis[®]

Oasis®



All Oasis® mailboxes are equipped with an extra large patented hopper style access door to accommodate bundled deliveries, large prescription drug bottles and small parcels.

Now available in **2** sizes:

Oasis® Oasis®

item number	5100	6200
width	13.5"	11.5"
depth	18.5"	18"
height	20"	15"
product weight	41 lbs	25 lbs



5100Z

Oasis® mailboxes may be installed atop or into a masonry column. In such installations, the detachable flag assembly may be attached to the outside of the column.



Oasis®



Custom front address lettering is available for all products. We use premium German made vinyl lettering rated to last at least seven years. Standard colors are shown at left. The standard font is Times New Roman Italic. Custom colors, fonts and even artwork can be created and factory applied using our advanced computer-based lettering system. Side lettering (item 5109) is also available - see page 3.





Delivery and access doors fitted with rubber seals to keep contents clean and dry.

Weldless assembly allowing parts to be completely powder coated prior to assembly for enhanced corrosion resistance.

Durable stainless steel hinges on both doors.



Outgoing mail clip discretely located behind delivery door.



The Standard Post comes in two versions - surface mount (item 5106) or in-ground mount (item 5105). Both are available in the same colors as the mailboxes. A Spreader Plate can be used to mount two, three, or four Oasis® mailboxes on one post. A Duo Spreader Plate (item 5112) is shown here holding two Oasis® Drop Boxes (item 5103) on a Standard Post.

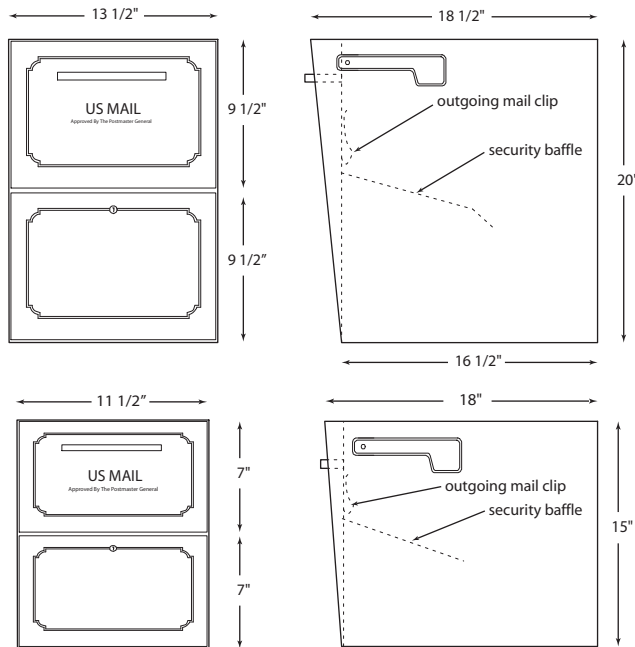
The Oasis® Jr. can also be mounted to the side of the Decorative Post (item 5515) with the optional Single Side Support Arm (item 5512).



For multi-family installations, up to two Oasis® Jr. Mailboxes can be mounted to the Decorative Post (item 5515). This configuration uses two Single Side Support Arms (item 5512).

oasis™ mailbox specifications

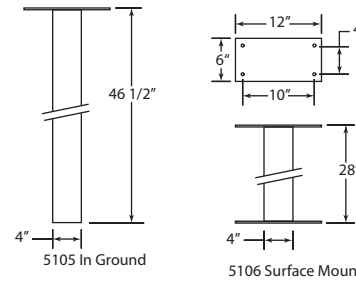
- 16 and 14 gage galvanized steel construction
- Weather tight seals on both doors to keep mail clean and dry
- Decorative door detail
- Durable powder coat for a long lasting finish
- Stainless steel hardware to prevent corrosion
- Constructed using studs and welds for extra durability
- Assembled after components are completely powder coated to protect against joint and seam corrosion
- Suitable for installation into a pilaster, column or wall
- Approved by the US Postmaster General



Item 5100 and 5103
Drop Box (item 5103) excludes "US Mail" door embossing, outgoing mail clip and flag.

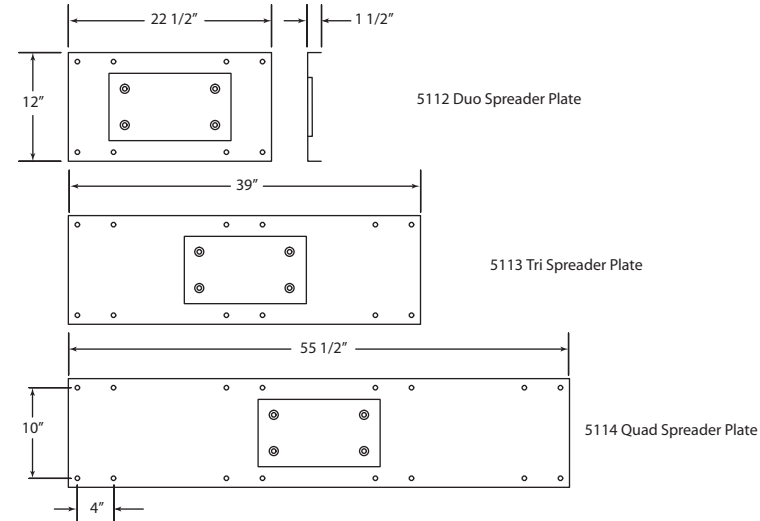
Item 6200

oasis™ post specifications

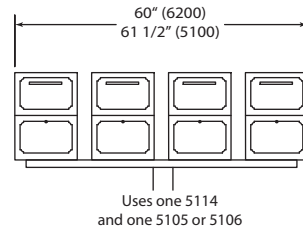
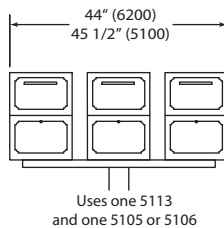
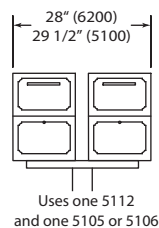


- Post: 2mm (14 gage) galvanized steel tube
- Support Plate(s): 1/4" galvanized steel welded to post
- Finish: Fully powder coated
- Includes all mounting hardware and instructions (concrete anchors not included)

spreader plates

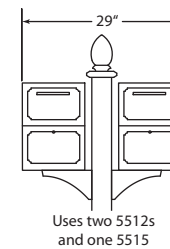


multi-family post configurations



Both the Oasis™ and Oasis™ Jr. can be installed onto the Duo, Tri and Quad Spreader Plates. These configurations can be mounted to either the In-Ground Post (5105) or the Surface Mount Post (5106).

The Oasis™ Jr. can be mounted onto the Coronado Decorative Post (5515) in a double configuration. This option is not available for the Oasis.





ARCHITECTURAL MAILBOXES[®]



1707 East Del Amo Blvd, Carson, CA 90746

www.architecturalmailboxes.com

ph 800 464 7491

fax 310 886 3131